

# Tristel™

---

# DUO

## DISINFECTANT



**EFFECTIVE • COMPATIBLE • TRUSTED • EASY TO USE**

# Tristel DUO is a chlorine dioxide (ClO<sub>2</sub>) foam for the disinfection of non-invasive ultrasound transducers, transducer holders, cables, keyboards, and ultrasound stations.

## Tristel DUO is:

- based on a unique chlorine dioxide foam chemistry
- a cleaner and disinfectant in one
- alcohol free and bleach free
- tuberculocidal in a 1-minute contact time
- effective against bloodborne pathogens in 30 seconds
- breaks down Deoxyribonucleic Acid (DNA) and Ribonucleic Acid (RNA)
- rated Category IV, the lowest hazard level (no safety warnings required)
- used by healthcare professionals in 35 countries
- EPA approved

## Scientific research:

Tristel DUO foam was tested for efficacy against Human papillomavirus type 16 (HPV16) and type 18 (HPV18) in a study conducted by Dr. Craig Meyers at the Pennsylvania State College of Medicine, USA. The study concludes that Tristel DUO foam is successful at inactivating HPV16 and HPV18.<sup>1</sup>

*NOTE: Although tests were conducted with an endocavity ultrasound probe, Tristel DUO is not intended for disinfection of these types of ultrasound probes. Endocavity probes require high-level disinfection with an FDA-approved disinfectant.*

<sup>1</sup> Meyers C, Milici J, Robison R. The ability of two chlorine dioxide chemistries to inactivate human papillomavirus-contaminated endocavitary ultrasound probes and nasendoscopes. *J Med Virol.* 2020 Aug;92(8):1298-1302. doi: 10.1002/jmv.25666. Epub 2020 Feb 4. PMID: 31919857; PMCID: PMC7497195.

## EFFECTIVE



Tristel DUO disinfects hard non-porous surfaces in 2 minutes when used as directed.

It is effective against:

- Viruses (30 seconds)
- *Mycobacterium bovis* (1 minute)
- Fungi (1 minute)
- Multi-drug resistant bacteria (2 minutes)
- Drug resistant bacteria (2 minutes)
- Bacteria (2 minutes)



Parker Laboratories, Inc.

The sound choice in patient care.™

973.276.9500

parkerlabs.com

**Tristel DUO** can be used on hard non-porous surfaces of other medical devices, for example, colposcopes, mammography compressor plates, dialysis machines, and blood pressure cuffs.

## CDC<sup>2</sup> definitions of disinfection levels and Tristel DUO efficacy

### STERILIZATION

Describes a process that destroys or eliminates all forms of microbial life.

### HIGH-LEVEL DISINFECTION (HLD)

Destruction of all microorganisms, except large numbers of bacterial spores.

### INTERMEDIATE-LEVEL DISINFECTION (ILD)

Destruction of all vegetative bacteria, fungi, most viruses, and *Mycobacterium tuberculosis*, but not bacterial spores.

### LOW-LEVEL DISINFECTION (LLD)

Destruction of most vegetative bacteria, some viruses, and some fungi.

BACTERIA	FUNGI	VIRUSES (Enveloped)
<i>Pseudomonas aeruginosa</i>	<i>Trichophyton interdigitale</i>	Hepatitis B virus (HBV)
<i>Staphylococcus aureus</i>	<i>Candida albicans</i>	Human Immunodeficiency virus Type 1 (HIV)
<i>Neisseria gonorrhoeae</i>		Herpes simplex virus Type 1
<i>Streptococcus agalactiae</i>		2009-H1N1 Influenza A virus (H1N1)
<i>Enterobacter cloacae</i>		
<i>Staphylococcus epidermidis</i>		
<i>Salmonella enterica</i>		
<i>Serratia marcescens</i>		
<i>Burkholderia cepacia</i>		
<i>Escherichia coli</i> ( <i>E. coli</i> ) 0157:H7		
Extended-spectrum beta-lactamase (ESBL) producing <i>Escherichia coli</i> ( <i>E. coli</i> )		
Methicillin-resistant <i>Staphylococcus aureus</i> (MRSA)		
Carbapenem-resistant <i>Klebsiella pneumoniae</i> (CRE)		
Multi-Drug resistant <i>Streptococcus pneumoniae</i>		
Multi-Drug resistant <i>Acinetobacter baumannii</i> (MDRAB)		

### VIRUSES (Non-enveloped)

Adenovirus Type 5  
Poliovirus Type 1  
Norovirus

### MYCOBACTERIA

*Mycobacterium bovis*  
(EPA approved surrogate of *Mycobacterium tuberculosis*)

*Tristel DUO* is not intended to perform high-level disinfection or sterilization



<sup>2</sup> Centre for Disease Control (CDC) "Guideline for Disinfection and Sterilization in Healthcare Facilities (2008)".



Parker Laboratories, Inc.

The sound choice in patient care.™

973.276.9500

[parkerlabs.com](http://parkerlabs.com)

# COMPATIBLE • TRUSTED • POWERFUL

## COMPATIBLE



Tristel DUO has been tested and confirmed to be compatible by major manufacturers, including:

- Alpinion Medical
- BD (Bard Access Systems, Inc.)
- BK Medical
- Butterfly Network
- Canon Medical Systems (Toshiba)
- Carestream
- Fujifilm Healthcare (Hitachi)
- GE Healthcare
- Healcerion
- Mindray
- Mobile ODT
- Philips
- Quantel Medical
- Samsung Healthcare
- Siemens Healthineers
- SonoScape
- SuperSonic Imagine
- Verathon

## TRUSTED



Tristel is an English company specializing in chlorine dioxide technology for infection prevention in healthcare. Since 1993, Tristel has been developing tailored solutions for device reprocessing and has become one of the world's leading providers of medical device disinfectants.

Parker Laboratories, Inc. is the recognized world leader in manufacturing and marketing of accessories and supplies for the ultrasound and electromedical markets. Parker Laboratories is the licensed manufacturer and exclusive distributor of Tristel DUO in the USA.

## POWERFUL



Tristel DUO utilizes Tristel's proprietary chlorine dioxide formula. The chemical symbol for chlorine dioxide is  $\text{ClO}_2$ .

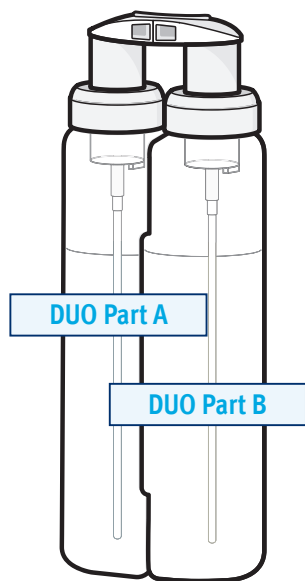
$\text{ClO}_2$  is a powerful oxidizing agent that packs a punch. It destroys pathogens via electron exchange, sequestering electrons from the microorganism's vital structures such as cell walls, membranes, organelles, and genetic materials. This causes a molecular imbalance leading to the microorganism's death. This mode of action makes  $\text{ClO}_2$  highly efficacious, even at low concentrations.

# Precise and fast



Tristel DUO is delivered in a novel dosing bottle. Tristel DUO Part A (sodium chlorite) and Part B (citric acid) are mixed when dispensed to generate 320 ppm chlorine dioxide. Each press of the pump delivers a consistent dose of chlorine dioxide foam, ensuring each patient receives the same level of protection.

Tristel DUO is effective in a maximum contact time of 2 minutes, cutting reprocessing time in more than half and allowing you to see more patients. In contrast, many commonly used pre-wetted wipes and sprays need as long as 10 minutes to be effective.





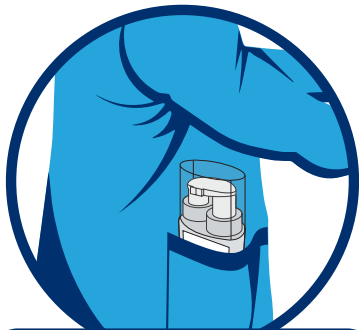
# Compact and convenient



Tristel DUO is compact and can follow the ultrasound transducer, enabling quick device decontamination at the point of care. Compact design is not synonymous with small: each Tristel DUO bottle delivers approximately 310 doses of chlorine dioxide foam.

Tristel DUO foam can be spread on a surface using a variety of dry wipes, allowing the user the convenience of choice.

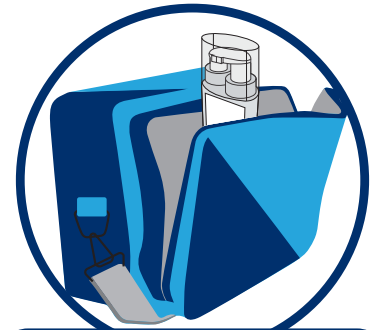
Due to its compact size and portability, Tristel DUO is easy to implement in a wide variety of areas where ultrasound is performed.



**IN YOUR POCKET**



**BY YOUR SIDE**



**IN YOUR BAG**

# Easy to use



Depress the pump to dispense Tristel DUO onto the surface or a cloth of your choice.



Apply Tristel DUO to the transducer.



Allow the surface to remain visibly wet for the two (2) minute contact time.



Reapply as necessary to ensure that the surface remains visibly wet for the entire contact time. Allow to air dry.





# Order with us now



To order **Tristel DUO**:

**Email:** [customerservice@parkerlabs.com](mailto:customerservice@parkerlabs.com) **Call:** 973.276.9500

PRODUCT NAME	PRODUCT NUMBER	PACKAGE SIZE	UNITS/CASE	SHELF LIFE
Tristel DUO	41-25	8.46 FL OZ (250ML) PUMP BOTTLE 6 BOTTLES/BOX	2 BOX/CASE	2 Years



Tristel DUO is manufactured and marketed in the United States by Parker Laboratories, Inc. as licensed by Tristel.

**Tristel**™  
[www.tristel.com](http://www.tristel.com)



PARKER LABORATORIES, INC.